

# SCOTT® Personal Toilet Seat Cover

**Superior Hygiene and Safety**

## SCOTT® PERSONAL TOILET SEAT COVER

is designed to provide superior hygiene and personal safety in the washroom

- Flushable seat covers offer sanitary protection
- Eliminates wasteful use of toilet tissue as substitute covers
- Lockable modern dispenser
- Dispenses one cover at a time
- Provides the user with extra protection from direct contact with toilet surface







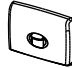
## SCOTT® Personal Toilet Seat Cover

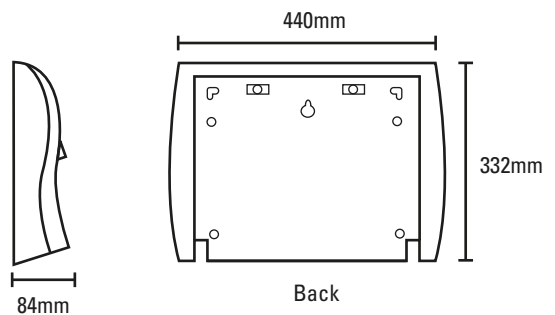
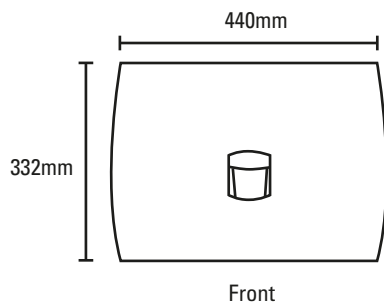
Every time a toilet is flushed, droplets of water spray up from the bowl and land on the toilet seat. These droplets often contain infection-spreading bacteria. Often the user is required to clean the toilet seat before use. By using the personal seat covers provided by Kimberly-Clark Professional, user will now have the peace of mind and avoid having any direct contact with toilet surface.

### SCOTT® Personal Toilet Seat Cover Refill

Description	Code No.	Colour	Case Contents
SCOTT® Personal Toilet Seat Cover	07410	White	24  x 125 

### Dispensers

Description	Code No.	Colour	Case Contents	Dimensions WxHxD (cm)
AQUARIUS* Toilet Seat Cover Dispenser	69570	Pearl White	1 x 	H33.2 x W44.0 x D7.7cm



For more information on Kimberly-Clark products and systems, please contact your local sales office at:

Kimberly-Clark Singapore Pte Ltd  
 3 Anson Road, #16-01 Springleaf Tower,  
 Singapore 079909  
 Toll free: 1800 562 5275 Tel: +(65) 6226 2882 Fax: +(65) 6327 3857

Kimberly-Clark Trading (M) Sdn Bhd  
 2nd Floor, Tower 2, Kelana Brem Tower, Jln SS7/15  
 (Jalan Stadium), Kelana Jaya 47301, Petaling Jaya,  
 Selangor Darul Ehsan, Malaysia.  
 Toll Free: 1800 889 466 Tel: +(603) 7806 8288 Fax: +(603) 7492 2576

Website: [www.kcprofessional.com](http://www.kcprofessional.com) Email: [kcp.mktsg@kcc.com](mailto:kcp.mktsg@kcc.com)

@/\* Trademarks of Kimberly-Clark Worldwide, Inc. ©2010 KCWW.  
 All rights Reserved.

